

NEW

Ez-Change™ WK

Capsule Filter Cartridge

(Upstream and downstream air vent)
(Dome-shaped design)

Ez-Change™ WK filter cartridge is an epoch-making capsule filter cartridge which can extract not only the air from an upstream side but the air from downstream side. Air inside a filter is controlled and air mixing to liquid can be reduced. The air generated during continuous operation can also be extracted by connecting piping, such as a tube.

Features

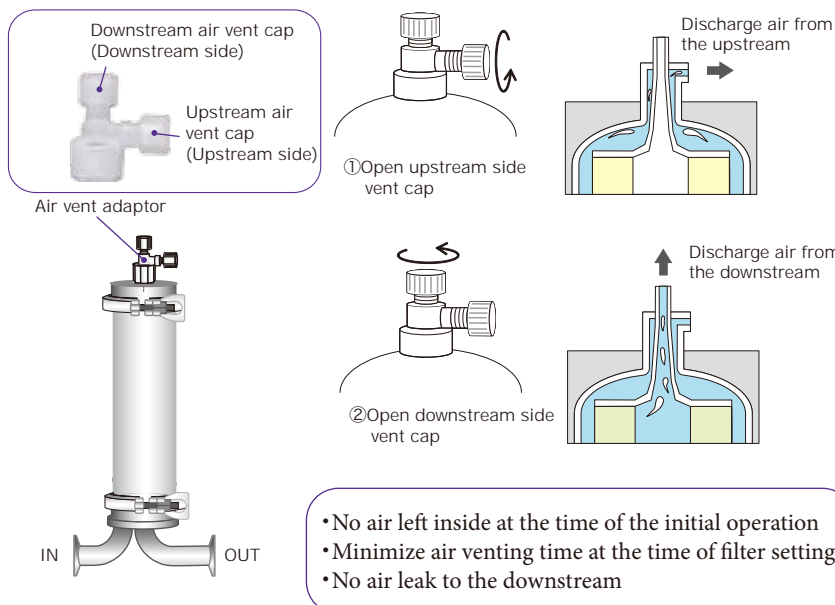
- With the downstream air vent, air problem trapped inside the filter can be minimized.
- With the dome-shaped filter capsule, air from the upstream side can be easily extracted compared to conventional capsules, resulting in shortening initial starting time



WK Capsule Filter Cartridge

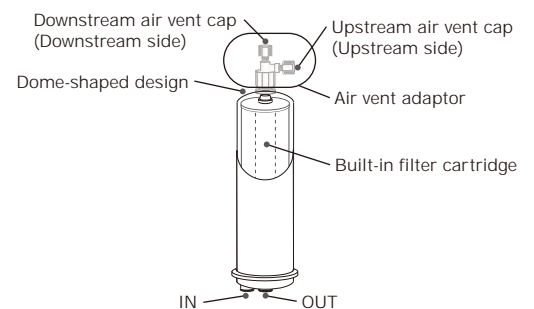
WK Capsule Filter Housing

Initial Set up (air vent image)

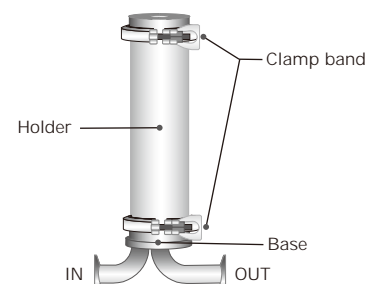


Construction

WK Capsule Filter Cartridge



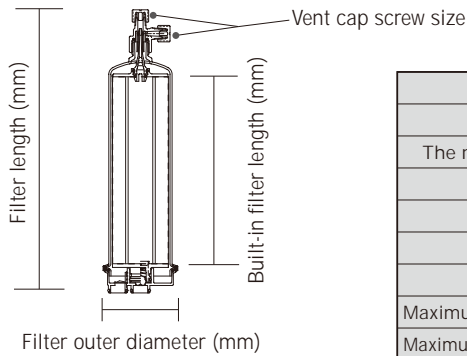
WK Capsule Filter Housing (SIDP)



With an exclusive tooling, capsules can be broken down so that recovery of the used liquid which remained in the inside capsule and separate abandonment are possible. (Separable Design)

By connecting a tube to air vent, liquid during air venting can be recovered. Also during operation, an air outflow is prevented and it contributes to the stability of the yield. (Piping, such as a tube, is not attached)

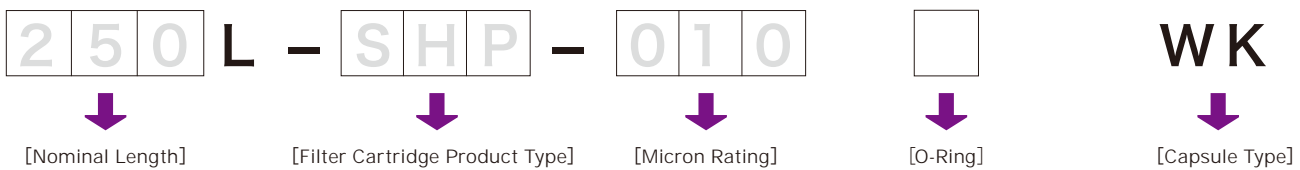
WK Capsule Filter Cartridge Specification



Product Type	WK
Built-in filter length (mm)	62.5 / 125 / 250 / 500
The number of filter built in the capsule	1
Filter length (mm)	169 / 235 / 359 / 609
Filter outer diameter (mm)	93
Capsule material	Polypropylene
Vent cap screw size	Rc 1 / 4
Maximum differential pressure (capsule filter)	Please refer to the catalog of the filter cartridge to build in.
Maximum operating temperature (capsule filter)	40°C

WK Capsule Filter Cartridge
Upstream and downstream air vent / Dome-Shaped design)

WK Capsule Filter Cartridge Ordering Information

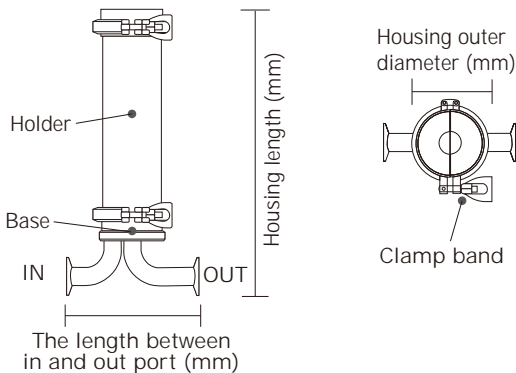


62.5=62.5mm
125=125mm
250=250mm
500=500mm

<Applicable Filter Media>
MICRO CILIA EX, DIAI DIA-P,
SLOPE-PURE SLP, SHP, SLS, SLW, SRL, HC,
MICRO-PURE MPX, MPH, MGA, MPN, NET,
CERTAIN-PURE CSS, CTA, CTX,
※Please consult separately about the filter besides the above.

No Code = EPDM
S = Silicon
N = NBR
V = FKM

WK Capsule Filter Housing Specification

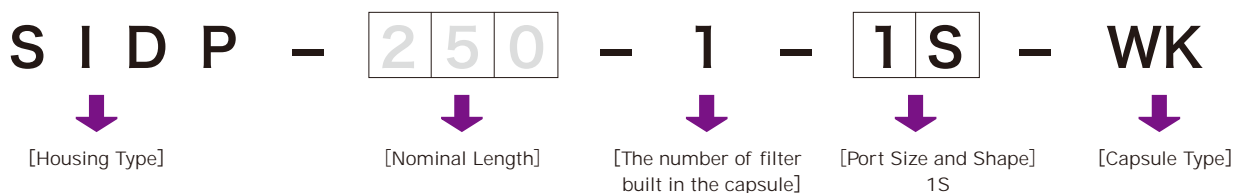


Product Type	SIDP
Built-in filter length (mm)	62.5 / 125 / 250 / 500
The number of filter built in the capsule	1
Housing length (mm)	145 / 215 / 335 / 585
Housing outer diameter (mm)	105
The length between in and out port (mm)	181
Housing material	SUS304
Port side (standard)	IDF 1S
Surface treatment	Inside : Conductive FEP coating / Outside : Buff #400
Design Pressure (housing)	0.69MPa
Design Temperature (housing)	40°C

WK Capsule Filter Housing
(SIDP Base & WK Holder)

※ Since the base portion for XB, AD and WK type is common,
by changing a holder, a different shape and length of capsule type can be used.

WK Capsule Filter Housing Ordering Information



62.5=62.5mm
125=125mm
250=250mm
500=500mm

1 = 1 pc

※Please consult separately
about the connection
besides the above.