

## SLP Type (Glass Fiber Media)

The SLP cartridges are the combination type filters equipped with the features of both depth and pleated cartridges. Constructed of the ideal graded density slope with a large surface area, the SLP cartridges provide longer service life. Glass fibers as main media are used, which shows high performance for the removal of sub-micron particles and soft contaminants such as gels.

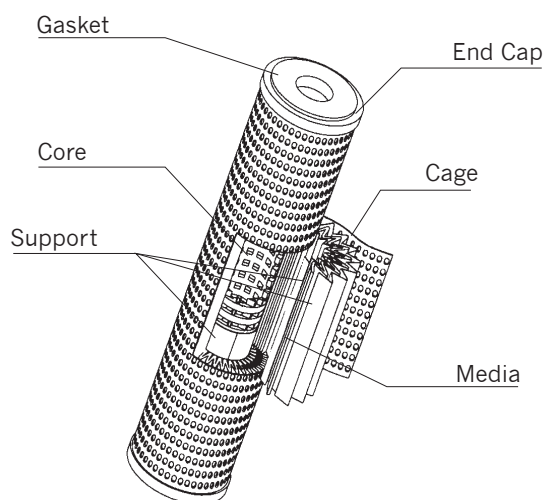
### Features

- With thick media, the SLP cartridges make it possible to remove soft contaminants such as gels effectively.
- Because of pleated construction giving a large surface area, the SLP cartridges provide excellent flow rates.

### Major Applications

- Water-based Ink, Paints
- Beer, Wine, Mineral Water
- General Water for industrial use and make-up water
- Others

### Materials of Construction

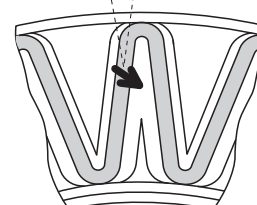
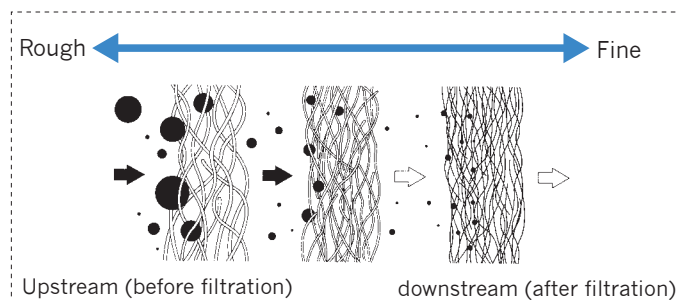


#### Ez-Change™

Capsule Filter Cartridge

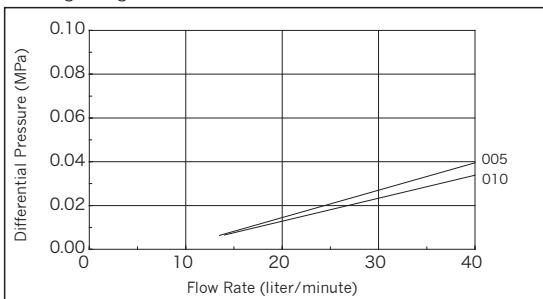
This product can be installed in the Capsulate Filter "Ez-Change". Please refer to the Ez-Change catalog in detail.

#### SLOPE-PURE Filtration Mechanism (Graded Density Slope)



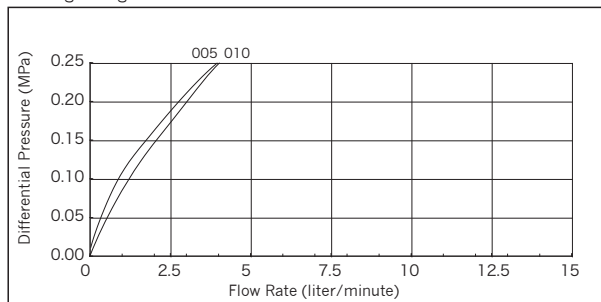
## Differential Pressure vs Flow Rate

Fluid: Water(20°C)  
Cartridge Length: 250mm



※The data do not include piping pressure drop.

Fluid: CMC(400cP, 20°C)  
Cartridge Length: 250mm



※The data do not include piping pressure drop.

## Particle Removal Efficiency

Particle Size(μm)	Particle Removal Efficiency (%)	
	SLP-005	SLP-010
0.5	>99.9	>95
1.0	>99.9	>99.9

<Test Condition>

Equipment: Hiac Royco Particle Counter  
Model 8000A/8000S  
Filtration : One Pass  
Fluid : Refined Water  
Flow Rate : 10 liter/minute  
Dust : ACFTD+Latex Beads

## Specification

Product Type		SLP	
Grade		005	010
Micron Rating (μm)		0.5	1.0
E.F.A. (ml/250L)		0.24	
Dimensions	Length (mm)	125 / 250 / 500 / 750	
	O.D. (mm)	70.0	
	I. D. (mm)	27.0 (for PZ) / 26.1 (for F) / 25.6 (for 0, 5) / 29.5 (for 7)	
Materials Media	Media	Resin bonded Glass Fiber, Polypropylene	
	Support	Polypropylene	
	Core	Polypropylene	
	Cage	Polypropylene	
	End Cap	Polypropylene (for F,0,5,7) / Foamed Polyethylene (for PZ)	
	Gasket/O-Ring	Silicone / EPDM / NBR / FKM/FEP Encapsulated FKM (for 0, 5, 7) / PTFE (for F)	
	Maximum ΔP (MPa)at 20°C	0.49	
	Maximum Operating Temp.(°C)	80 / 60 (only PZ)	
	Adaptable Food Sanitation Standard	FDA 21CFR / Ministry of Health, Labour and Welfare, Notice 370	

※If you need further information on specifications (length, end cap type, etc.), please contact us.

## Ordering Information

250 L-SLP-010 E F B

[Nominal Length]  
125 = 125mm  
250 = 250mm  
500 = 500mm  
750 = 750mm

[Product Type]

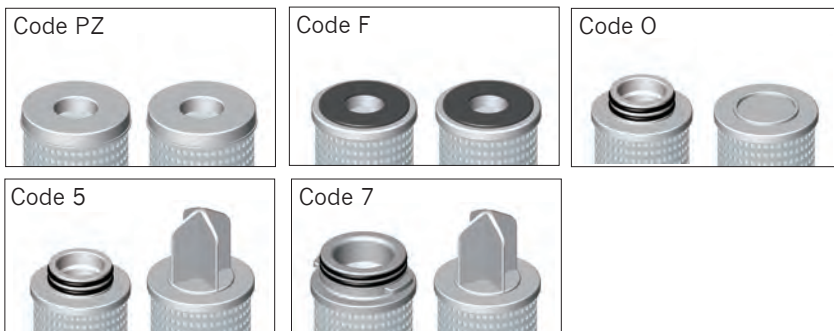
[Micron Rating]  
005 = 0.5 μm  
010 = 1.0 μm

[Gasket/O-ring]  
P = Foamed Polyethylene  
S = Silicone  
E = EPDM  
N = NBR  
V = FKM  
T = FEP Encapsulated FKM (for 0, 5, 7)  
PTFE (for F)

[End Cap Code]  
Z = only for P gasket.  
F = Flat Gaskets  
O = 2-222 O-Ring  
5 = 2-222 O-Ring+Fin  
7 = 2-222 O-Ring+Fin

[Packaging Code]  
B = 6pcs  
C = 10pcs  
F = 25pcs

## End Cap Code



The products are manufactured under control by the quality management system registered as conforming to the ISO9001 standard.



QMS  
ISO9001  
JSAQ1436



CM001

Scope: Manufacture of Filter cartridges

\*The contents of the catalog is subject to change without notice.