

SHPX Type (Glass Fiber Media)

The SHPX cartridges are the combination type filters equipped with the features of both pleated and depth cartridges. The SHPX cartridges are exclusively designed for the filtration of liquids with high viscosity and high solid contents. The SHPX cartridges are suitable for the filtration of inks and resists based on polar solvent, since the glass fibers with very low extractables are used as main media.

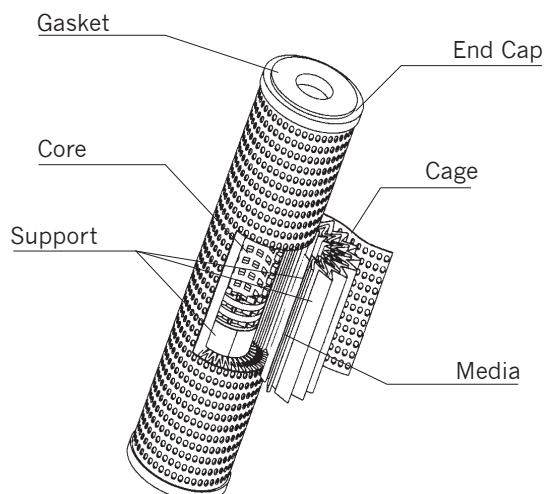
Features

- Because the media is reinforced with a rigid net support material (polyolefin), the SHPX cartridges provide stable filtration of high viscous liquids and high solid contents under low differential pressure without the media deformation.
- Because the glass fibers with very low extractables are used as main media, the SHPX cartridges provide high performance for removal of sub-micron particles and soft contaminants such as gels.
- Equipped with the features of both thick media in depth construction and a large surface area in pleated construction, the SHPX cartridges provide longer service life, resulting in initial cost or running cost reduction.
- All the cartridges are flushed with DI water prior to shipment.

Major Applications

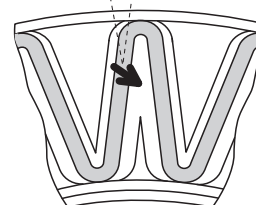
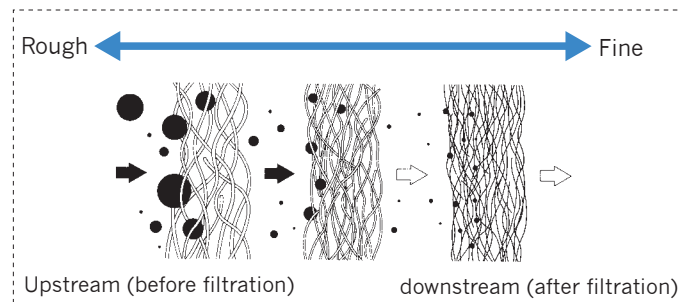
- Slurry with high solid contents
- Soft contaminants such as gel-like substances
- High-performance paints and pigment resists
- Others

Materials of Construction



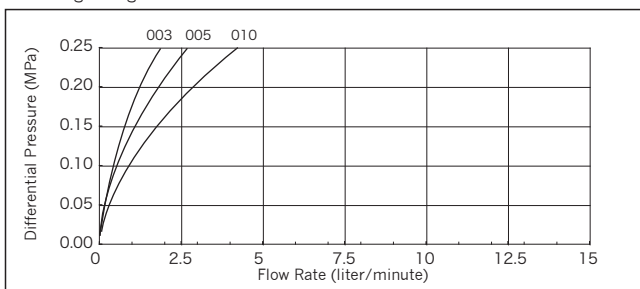
Ez-Change™
Capsule Filter Cartridge
This product can be installed in the Capsulate Filter "Ez-Change". Please refer to the Ez-Change catalog in detail.

SLOPE-PURE Filtration Mechanism (Graded Density Slope)



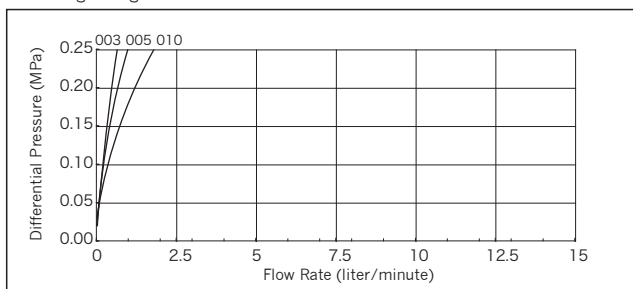
Differential Pressure vs Flow Rate

Fluid: CMC (400cP, 20°C)
Cartridge Length: 250mm



※The data do not include piping pressure drop.

Fluid: CMC (1000cP, 20°C)
Cartridge Length: 250mm



※The data do not include piping pressure drop.

Particle Removal Efficiency

Particle Size (μm)	Particle Removal Efficiency (%)		
	SHPX-003	SHPX-005	SHPX-010
0.3	>99		
0.5	>99.9	>98	
1.0		>99.9	>98
2.0			>99.9

<Test Condition>

Equipment : Hiac Royco Particle counter

Filtration : One Pass

Fluid : Refined Water

Flow Rate : 10 liter/minute

Dust : SHPX-003, ALUMINA+Boehmite
SHPX-005, 010, ACFTD+LATEX Beads

Specification

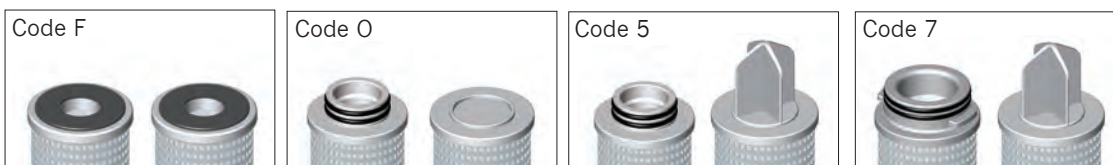
Product Type		SHPX		
Grade		003	005	010
Micron Rating (μm)		0.3	0.5	1.0
E.F.A. (m ³ /250L)		0.20		
Dimensions	Length (mm)	125 / 250 / 500		
	O.D. (mm)	70.0		
	I. D. (mm)	26.1 (for F) / 25.6 (for 0, 5) / 29.5 (for 7)		
Materials Media	Media	Resin bonded Glass Fiber, Polypropylene		
	Support	Polyolefin		
	Core	Polypropylene		
	Cage	Polypropylene		
	End Cap	Polypropylene		
Gasket/O-Ring		Silicone / EPDM / NBR / FKM/ FEP Encapsulated FKM (for 0, 5, 7) / PTFE (for F)		
Maximum ΔP (MPa)at 20°C		0.49		
Maximum Operating Temp.(°C)		80		
Adaptable Food Sanitation Standard		Ministry of Health, Labour and Welfare, Notice 370		

※If you need further information on specifications (length, end cap type, etc.), please contact us.

Ordering Information

250	L-SHPX-	010	E	F	B
↓	↓	↓	↓	↓	↓
[Nominal Length] 125 = 125mm 250 = 250mm 500 = 500mm	[Product Type]	[Micron Rating] 003 = 0.3 μm 005 = 0.5 μm 010 = 1.0 μm	[Gasket/O-ring] S = Silicone E = EPDM N = NBR V = FKM T = FEP Encapsulated FKM (for 0, 5, 7) PTFE (for F)	[End Cap Code] F = Flat Gaskets O = 2-222 O-Ring 5 = 2-222 O-Ring+Fin 7 = 2-226 O-Ring+Fin	[Packaging Code] B = 6pcs C = 10pcs F = 25pcs

End Cap Code



The products are manufactured under control by the quality management system registered as conforming to the ISO9001 standard.



Scope: Manufacture of Filter cartridges

*The contents of the catalog is subject to change without notice.