

# Labo-Pure Capsule Filter LPS / LPM Type

The LPS and LPM are the capsule filters designed for small batch filtration. 50mm length cartridge is built in the LPS and 100mm length cartridge is built in the LPM.



**LPS Type**



**LPM Type**

## Specification

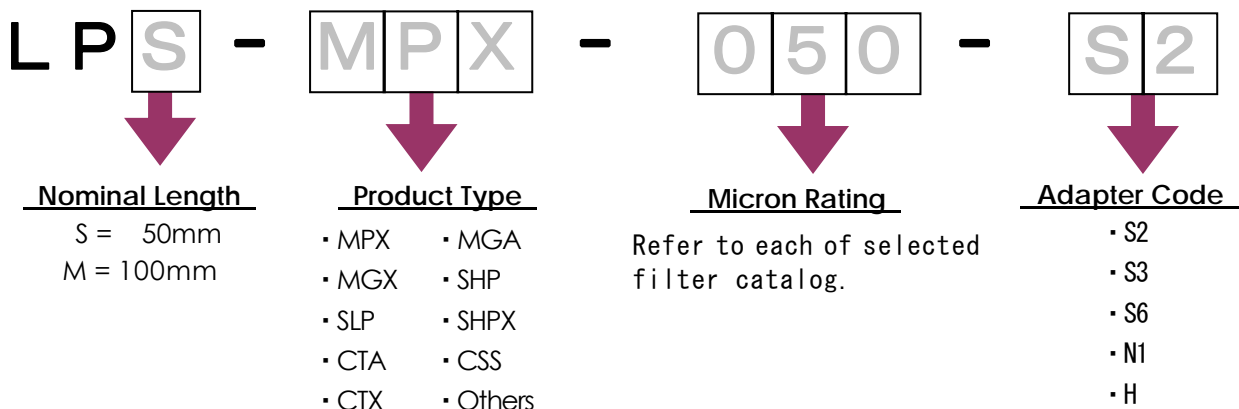
Product Type		LPS	LPM
Built-in Filter length		50	100
O.D. of Shell (mm)		φ72	
Materials	Built-in Filter	Refer to each of selected filter catalog	
	Shell	Polypropylene	
	Caps	Polyethylene	
ΔP (MPa) at 20°C		0.39	
Operating Temp. (°C)		60	
Sterilization *1		Autoclave (30 minutes at 121°C)	

\*1 Remove polyethylene end caps by all means at the time of autoclaving.

## Features

Suitable for the filtration of small batch and high priced liquids, since the loss of liquids is minimal. No housing is required. A wide range of pleated filters are available in the capsules. Filter and capsule are thermally welded.

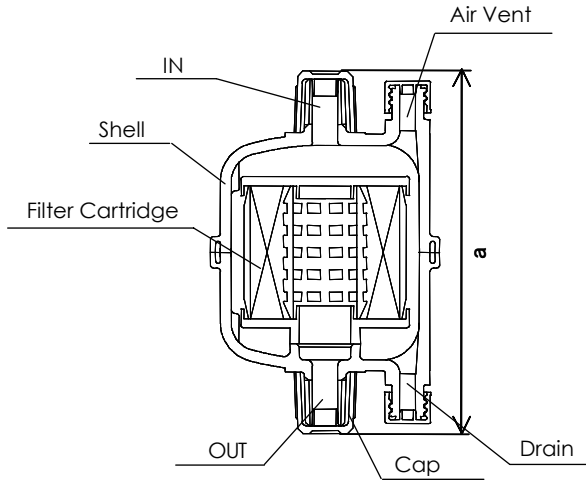
## Ordering Information



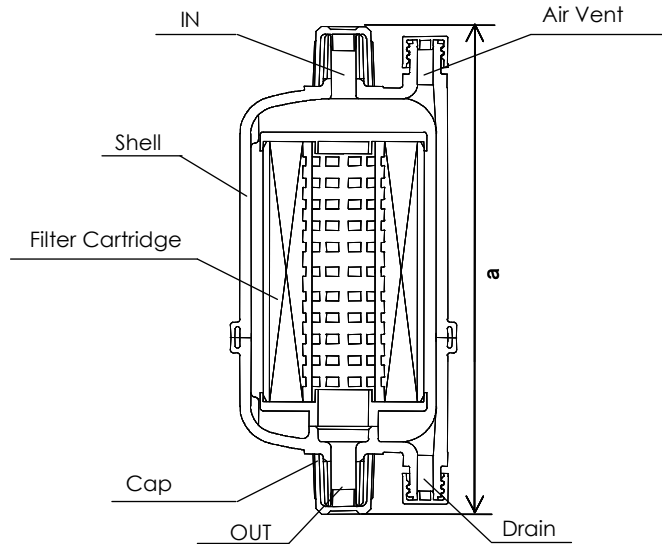
# Labo-Pure Filter Cartridges LPS · LPM Type

## Cross Section and External Dimension

### LPS Type (N1)





Port Configuration	S2	S3	S6	N1	H
a	105	99	105	110	110



Port Configuration	S2	S3	S6	N1	H
a	149	143	149	154	154

## Port Configuration

Port Configuration			
Code	S2	S3	S6
IN/OUT	7/16-20UNF	9/16-20UN	7/16-20UNF
IN/OUT Tube	O.D. 1/4 inch	O.D. 3/8 inch	O.D. 6mm
Vent / Drain	7/16-20UNF	7/16-20UNF	7/16-20UNF
Vent / Drain Tube	O.D. 1/4 inch	O.D. 1/4 inch	O.D. 1/4 inch
Connection bore geometry			<p>*No nut and ferrule for tube fitting are attached to S2, S3 and S6 code.</p> <p>The products are manufactured under control by the quality management system registered as conforming to the ISO9001 standard.</p>   <p>Scope Manufacture of Filter cartridges</p>
Code	N1	H	
IN/OUT	NPT 1/4"	Hose nozzle	
IN/OUT Tube	—	I.D. 13mm	
Vent / Drain	NPT 1/8"	NTP 1/8"	
Vent / Drain Tube	—	—	

## Distributor

# ROKI

**ROKI TECHNO CO., LTD.**  
 6-20-12, Minami-ohi, Shinagawa-ku  
 Tokyo, 140-8576 Japan  
 TEL +81-3-5764-1131  
 FAX +81-3-5764-0684  
 HF110701JP-2 4th Issue